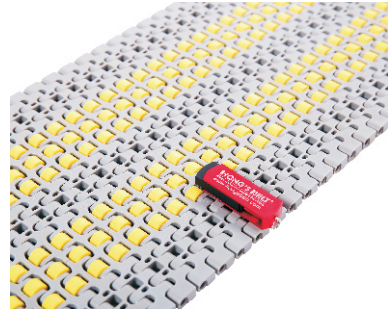
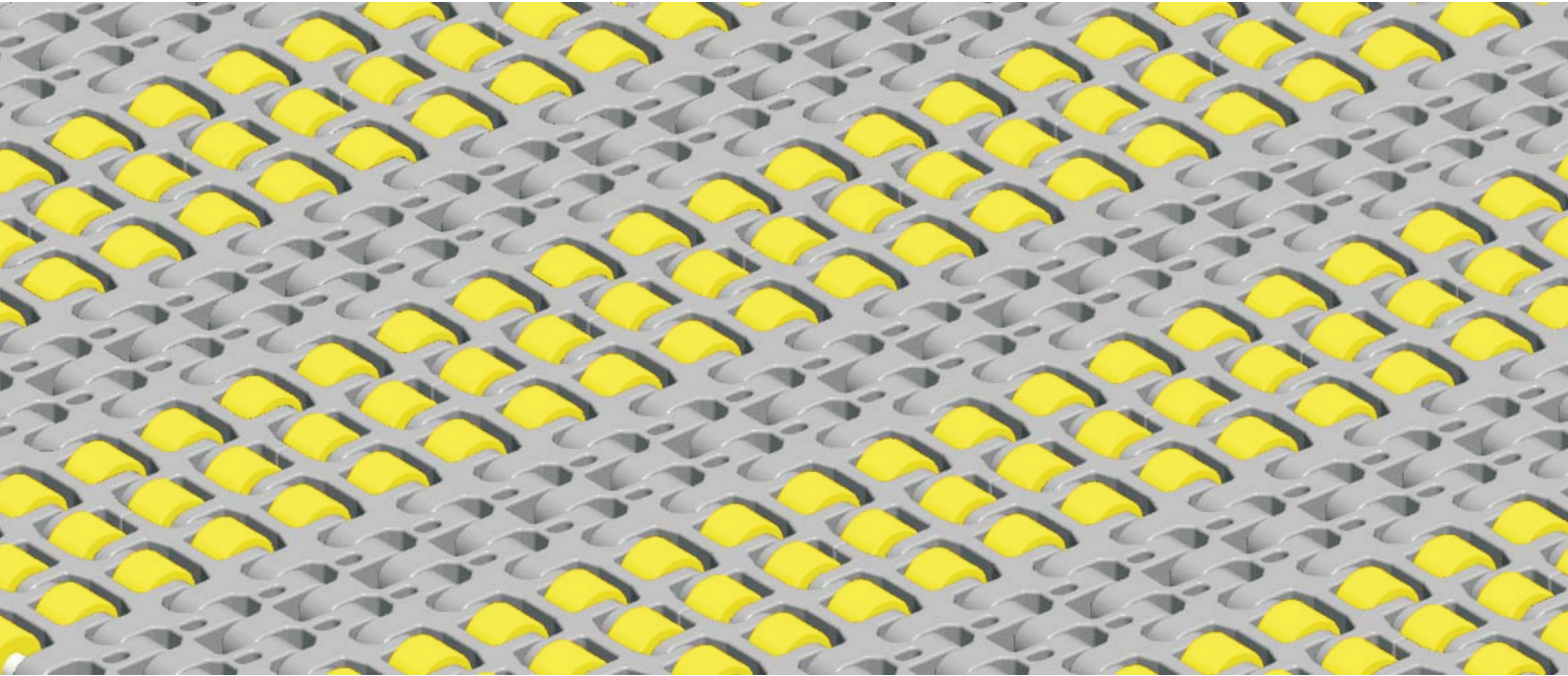


HS-1100C Technical Data Sheet



Pitch: 15.5mm Minimum Width: 205mm Open Area: 10% Approved: FDA Rod: Ø 4.9mm Flight: No Side Guard: No Curve: No	
---	--

Data

Belt Material	Belt Strength			Temperature		Belt Weight (Kg/M ²)
	Straight		Curve	°C (min.)	°C (max.)	
	Kg/M(BW)	N/M(BW)				
Polypropylene	1580	15800	--	1	100	8.8
Acetal	1725	17250	--	-40	80	11.8

BW – Belt Width

Color Table

Polypropylene					Polyethylene					Acetal					Nylon									
W	G	N	DB	B	W	G	N	DB	B	W	G	N	DB	B	W	G	N	DB	B					
●	●									●										●				

W-White, G-Gray, N-Nature, DB-Darkbrown, B-Blue

Friction Table

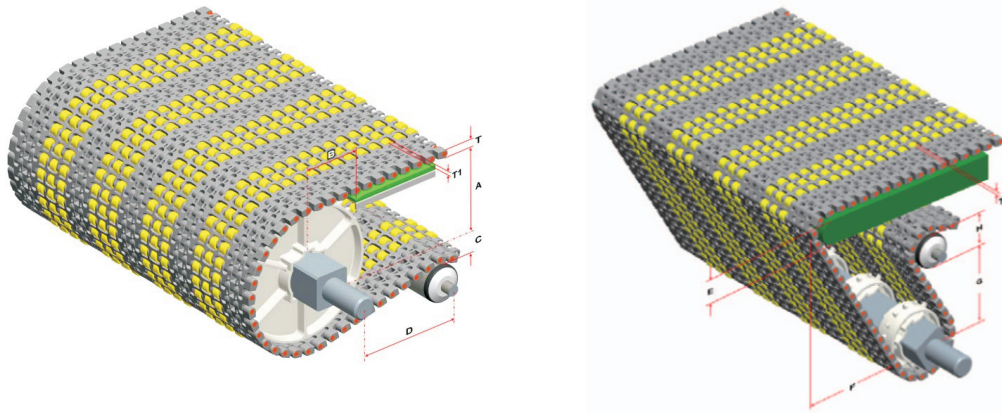
Belt Material	Friction Wear strips & Products							
	UHMW	HDPE	Steel	Glass	SUS	Plastic	Cardboard	Aluminum
Polyethylene	0.32	0.24	0.15	0.09	0.13	0.08	0.15	0.25
Polypropylene	0.13	0.11	0.26	0.19	0.31	0.16	0.21	0.41
Acetal	0.11	0.09	0.27	0.16	0.26	0.15	0.19	0.28
Nylon	0.18	0.13	0.25	0.16	0.26	0.16	0.19	0.27

SUS – Stainless Steel

Equivalent type with other Brand

Brand Name	Intralox	UNI	Rexnord	MCC	Habasit	KVP
Series & Type	1000		1500			
	1100					

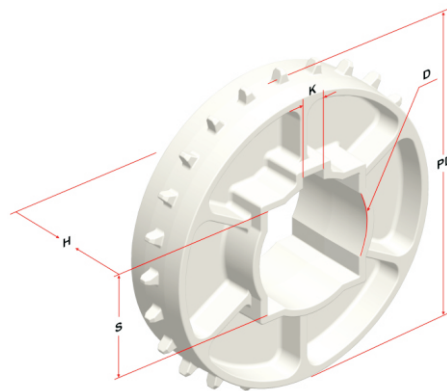
The above content is only for reference.



Conveyor Frame Dimensions

Unit : mm

No. Teeth	A (Min.)	B (Min.)	C (Max.)	D (Min.)	E (Min.)	H (Min.)	T	T1
12	25.25	39.75	24.75	150	Ø 25	Ø 60	9.0	1.3
16	35.25	49.75	34.75	150	Ø 25	Ø 60		
24	56	70.5	55.5	150	Ø 25	Ø 60		
24/N	55	69.5	54.5	150	Ø 25	Ø 60		
32	74.75	89.25	74.25	200	Ø 25	Ø 60		



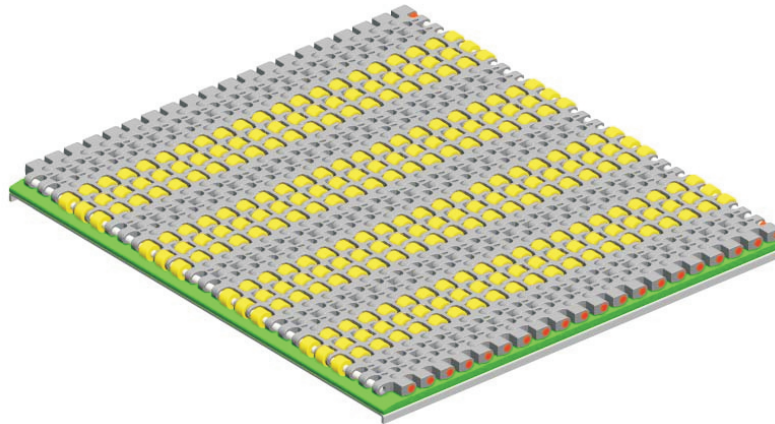
Sprocket Dimensions

Unit: mm

No. Teeth	PD	S	D	H	K
12	59.5	--	25	35	8X8
16	79.5	38.5/40.5	25	35	8X8
24	121	38.5/40.5	30.5/45.5	35	10X10
24/N	119	40.5	--	24.8	--
32	158.5	38.5/40.5	30.5/40.2/45.5	35	8X8

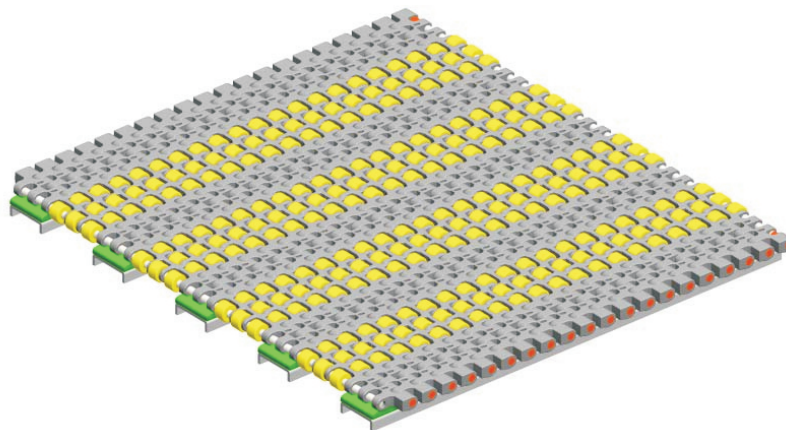
Support Mode of Insert Roller

Accumulation



Wear Strips are placed between rollers for accumulation

Multi-Speed



Wear Strips are placed under the rollers and the speed of products on the belt will be 2 times of the belt speed.